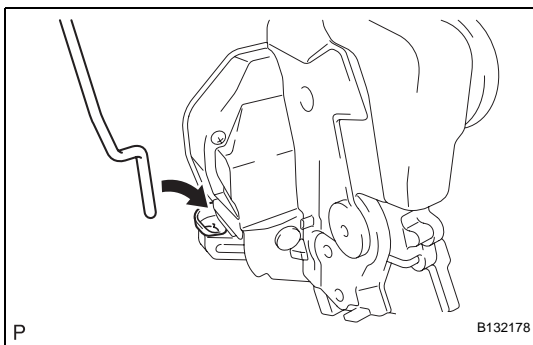
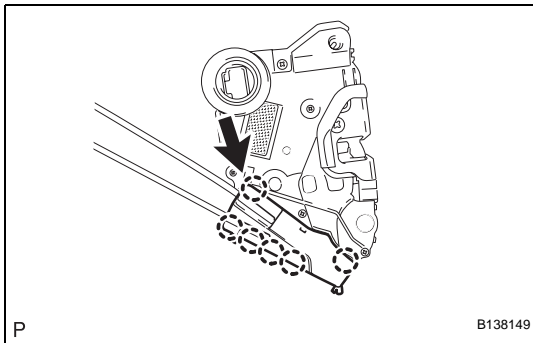
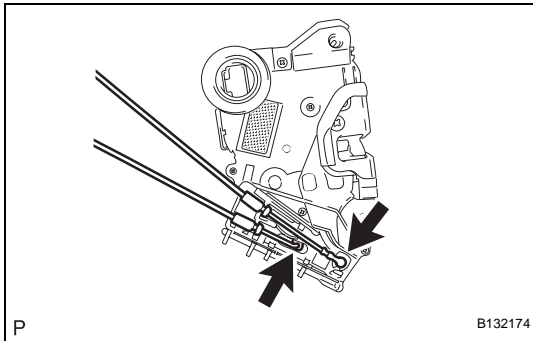


INSTALLATION

1. INSTALL FRONT DOOR LOCK

NOTICE:

- If reusing a door lock that has been removed, replace the packing in the connecting part with new.
 - Make sure that no grease or dirt adheres to the packing surface in the connecting part.
- (a) Apply MP grease to the sliding and rotating areas of the front door lock.
 - (b) Connect the front door lock remote control cable and the front door inside locking cable.

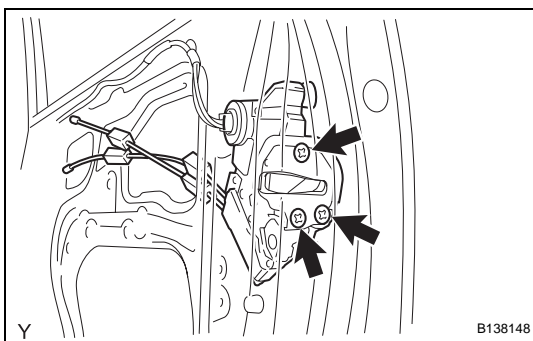


- (c) Engage the 5 claws and close the cover.

- (d) Insert the door lock open rod into the front door lock, then set it to the door panel.

NOTICE:

Make sure that the outside handle link is securely engaged with the door lock.



- (e) Apply adhesive to the threads of the screws.

Adhesive:

Toyota Genuine Adhesive 1324, Three Bond 1324 or the equivalent

- (f) Using "Torx" socket wrench T30, install the front door lock with the 3 screws.

Torque: 5.0 N*m (51 kgf*cm, 44 in.*lbf)

2. INSTALL FRONT DOOR GLASS SUB-ASSEMBLY (See page [ED-20](#))

3. INSTALL FRONT DOOR WINDOW FRAME REAR LOWER (See page [ED-21](#))
4. INSTALL FRONT DOOR LOWER FRAME BRACKET GARNISH (See page [ED-21](#))
5. INSTALL FRONT DOOR FRAME SUB-ASSEMBLY FRONT LOWER (See page [ED-21](#))
6. INSTALL FRONT DOOR GLASS RUN (See page [ED-21](#))
7. INSTALL FRONT DOOR WEATHERSTRIP (See page [ED-22](#))
8. INSTALL FRONT DOOR CHECK ASSEMBLY (See page [ED-23](#))
9. INSTALL FRONT DOOR INSIDE PANEL PLATE (See page [ED-23](#))
10. INSTALL FRONT DOOR SERVICE HOLE COVER (See page [ED-11](#))
11. INSTALL FRONT NO. 1 SPEAKER (See page [AV-58](#))
12. INSTALL FRONT DOOR GLASS OUTER WEATHERSTRIP ASSEMBLY (See page [ET-40](#))
13. INSTALL OUTER REAR VIEW MIRROR (See page [MI-11](#))
14. INSTALL FRONT NO. 2 DOOR SERVICE HOLE COVER (See page [ED-24](#))
15. INSTALL FRONT DOOR TRIM BOARD SUB-ASSEMBLY (See page [ED-24](#))
16. INSTALL FRONT ARMREST BASE UPPER PANEL (See page [ED-25](#))
17. CONNECT CABLE TO NEGATIVE BATTERY TERMINAL
Torque: 3.9 N*m (40 kgf*cm, 35 in.*lbf)